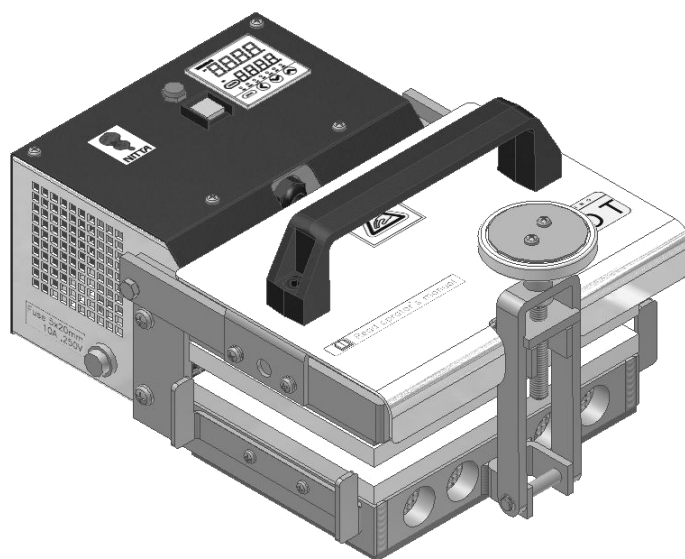




PolySprint™

Belt-Endless Tool

NPS-1210-1/2



【Characteristics】

- Applicable to endless-process of finger-shape with L120(70)mm×10mm. pitch
- This press is a full automation machine which does heating and cooling with one.

【Specifications】

■ model	NPS-1210-1	NPS-1210-2
■ Input	100V~120V	200V~240V
	50/60Hz	50/60Hz
	800-1200W	800-1200W
■ Applicable Range for Temperature setting	※ 0~200℃	
■ Dimensions	L320mm×W230mm.×H180mm	
■ Max. Belt Width	100mm	
■ Max. Belt Thickness	6mm	
■ Weight	9.5kg	

NITTA CORPORATION

This specification is subject to change without notice.

2010/10/20