
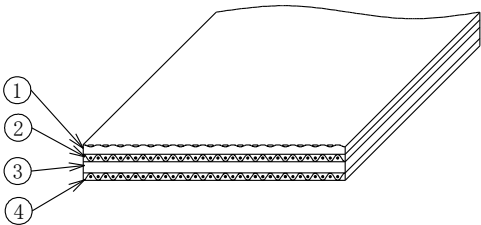


Technical Data Sheet P-232		NITTA BELT POLY		
		Belt type	GMTA-500	
Applications				
Item	Description	Remarks		
Specification	Construction			①NBR (Textured Pattern, Blue) ②PA Fabric ③PA Film ④PA Fabric (Blue)
	Antistatic	Yes		
Dimensions	Width	6 to 305 [mm]		
	Length	300 to 105,000 [mm]		
	Thickness	1.9 [mm]		
	Joint	Skived joint Adhesive Polybond A and E		
	Tensile strength	150 [N/mm]		Test speed: 50mm/min
Properties	Elongation at break	20 [%]		Ambient condition: 23°C,50%R.H.
	Standard elongation	1 [%]		
	Tension at 1 [%]	3.8 [N/mm]		Ambient condition: 23°C,50%R.H.
	Minimum pulley dia.	40 [mm]		
	Operating temp.	-20 to +80°C		
	Coefficient of friction	0.5 to 0.6(Steel) (NBR side) 0.2 to 0.25(Steel) (Fabric side)		Measurement condition: 7kPa, 1mm/s Ambient condition: 23°C,50%R.H.
	Mass	2.0 [kg/m <sup>2</sup> ]		
Features				